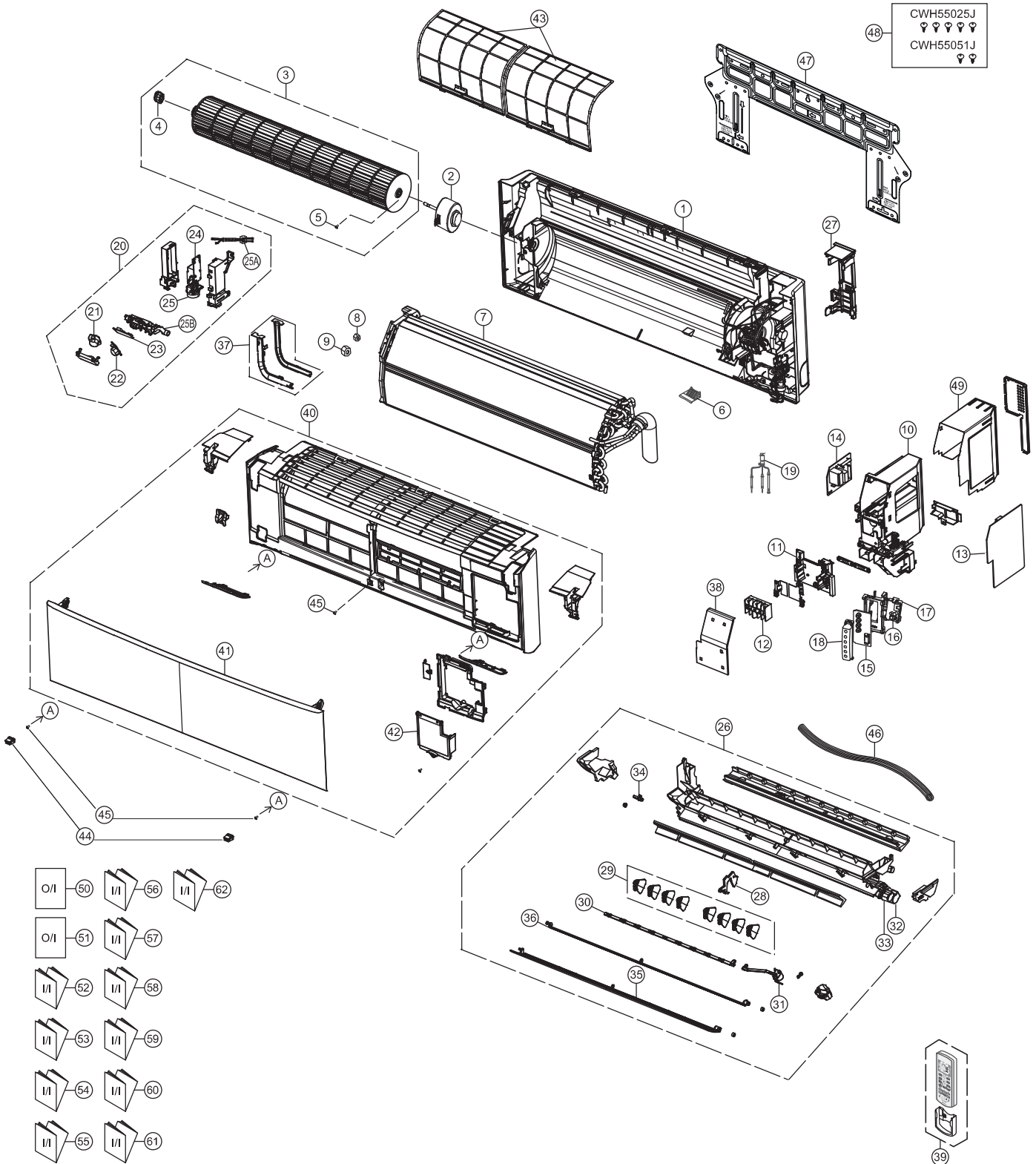


22. Exploded View and Replacement Parts List

22.1 Indoor Unit

22.1.1 CS-Z20TKEW CS-Z25TKEW CS-Z35TKEW CS-Z42TKEW CS-XZ20TKEW CS-XZ25TKEW CS-XZ35TKEW



Note

The above exploded view is for the purpose of parts disassembly and replacement.
The non-numbered parts are not kept as standard service parts.

SAFETY	REF. NO.	PART NAME & DESCRIPTION	QTY.	CS-Z35TKEW	CS-Z42TKEW	REMARK
	1	CHASSIS COMPLETE	1	ACXD50C00200	←	
⚠	2	FAN MOTOR	1	L6CBYYL0037	←	O
	3	CROSS-FLOW FAN COMPLETE	1	CWH02C1076	←	
	4	BEARING ASSY	1	CWH64K1010	←	
	5	SCREW - CROSS-FLOW FAN	1	CWH551146	←	
	6	PARTICULAR PIECE	1	CWD933067B	←	
	7	EVAPORATOR	1	ACXB30C00920	ACXB30C01160	
	8	FLARE NUT (LIQUID)	1	CWT251030	←	
	9	FLARE NUT (GAS)	1	CWT251031	CWT251073	
	10	CONTROL BOARD CASING	1	ACXH10-00200	←	
	11	PARTICULAR PIECE	1	CWD933138	←	
⚠	12	TERMINAL BOARD COMPLETE	1	CWA28C2594	←	O
⚠	13	ELECTRONIC CONTROLLER - MAIN	1	ACXA73C11380	ACXA73C20720	O
⚠	14	ELECTRONIC CONTROLLER - POWER	1	ACXA73-02660	←	O
⚠	15	ELECTRONIC CONTROLLER - INDICATOR	1	ACXA73-08140	←	O
⚠	16	ELECTRONIC CONTROLLER - RECEIVER	1	CWA746916	←	O
	17	HOLDER - RECEIVER	1	ACXD93-00700	←	
	18	INDICATOR HOLDER	1	ACXD93-00930	←	
	19	SENSOR COMPLETE	1	CWA50C2664	←	O
	20	SENSOR COMPLETE (ECO)	1	ACXA50C00350	←	O
⚠	21	ELECTRONIC CONTROLLER (ECO SENSOR)	1	CWA745791	←	
⚠	22	ELECTRONIC CONTROLLER (ECO SENSOR)	1	CWA746206	←	
⚠	23	ELECTRONIC CONTROLLER (COMPARATOR)	1	CWA747891	←	
⚠	24	ELECTRONIC CONTROLLER - HVU	1	N0GE1E000006	←	
	25	GENERATOR COMPLETE	1	CWH94C0056	←	
	25A	LEAD WIRE - PCB ECO	1	ACXA60C02160	←	
	25B	CONTROL BOARD CASING FOR PCB ECO	1	CWD933929	←	
	26	DISCHARGE GRILLE COMPLETE	1	ACXE20C00920	←	
	27	BACK COVER CHASSIS	1	CWD933233C	←	
	28	FULCRUM	1	ACXH62-00040	←	
	29	VERTICAL VANE	8	CWE241457	←	
	30	CONNECTING BAR	1	CWE261314	←	
⚠	31	AIR SWING MOTOR	1	ACXA98K00020	←	O
⚠	32	AIR SWING MOTOR	1	CWA981241	←	O
⚠	33	AIR SWING MOTOR	1	CWA981299	←	O
	34	CAP - DRAIN TRAY	1	CWH521259	←	
	35	HORIZONTAL VANE COMPLETE	1	ACXE24C01020	←	
	36	HORIZONTAL VANE COMPLETE	1	CWE24C1531	←	
	37	DUCT - COMPLETE	1	ACXD22C00030	←	
	38	CONTROL BOARD COVER - COMPLETE	1	ACXH13C00150	←	
	39	REMOTE CONTROL COMPLETE	1	ACXA75C00270	←	O
	40	FRONT GRILLE COMPLETE	1	ACXE10C02750	←	O
	41	INTAKE GRILLE COMPLETE	1	ACXE22K01110	←	
	42	GRILLE DOOR COMPLETE	1	CWE14C1090	←	
	43	AIR FILTER	2	CWD001279	←	O
	44	CAP - FRONT GRILLE	2	ACXH52-00020	←	
	45	SCREW - FRONT GRILLE	3	XTT4+16CFJ	←	
	46	DRAIN HOSE	1	CWH851173	←	
	47	INSTALLATION PLATE	1	CWH361147	←	
	48	BAG COMPLETE - INSTALLATION SCREW	1	CWH82C1705	←	
	49	CONTROL BOARD TOP COVER	1	ACXH13-00190	←	
	50	OPERATING INSTRUCTION	1	ACXF55-04930	←	

SAFETY	REF. NO.	PART NAME & DESCRIPTION	QTY.	CS-Z35TKEW	CS-Z42TKEW	REMARK
	51	OPERATING INSTRUCTION	1	ACXF55-04940	←	
	52	INSTALLATION INSTRUCTION	1	ACXF60-04930	←	
	53	INSTALLATION INSTRUCTION	1	ACXF60-05540	←	
	54	INSTALLATION INSTRUCTION	1	ACXF60-05550	←	
	55	INSTALLATION INSTRUCTION	1	ACXF60-05560	←	
	56	INSTALLATION INSTRUCTION	1	ACXF60-05570	←	
	57	INSTALLATION INSTRUCTION	1	ACXF60-05580	←	
	58	INSTALLATION INSTRUCTION	1	ACXF60-05590	←	
	59	INSTALLATION INSTRUCTION	1	ACXF60-05600	←	
	60	INSTALLATION INSTRUCTION	1	ACXF60-05610	←	
	61	INSTALLATION INSTRUCTION	1	ACXF60-05620	←	
	62	INSTALLATION INSTRUCTION	1	ACXF60-05630	←	

(NOTE)

- All parts are supplied from PAPAMY, Malaysia (Vendor Code: 00029488).
- “O” marked parts are recommended to be kept in stock.